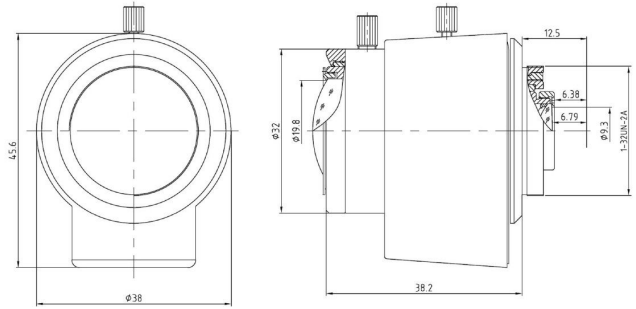


LEN-MV4510CS Camera Lens



Specifications						
Type	Specifications	Remark	Type	Specifications	Remark	
Model	LEN-MV4510C S		Distortion			
Sensor	CCD / CMOS		Iris	Manual Iris		
Image Circle	1/2"		MTF	MP		
Focal Length	4.5-10 mm		M.O.D	0.1 m		
Aperture, F/#	1.6		Lens Construction	9-9	CS	
F.O.V,D/H/V	102 °~46.5° / 80.5°~37° / 60°~28°		Mount	1-32UN-2A		
Back Focal Length	6.34~11.8mm		Dimension	Ø 38 x 38.2 x 45.6 mm		
Effective Aperture	Ø 19.8 mm	Front				
	Ø 9.3 mm	Rear				